

Mini Turbine Flow Sensor



BT-DFS-100 **BROIL**

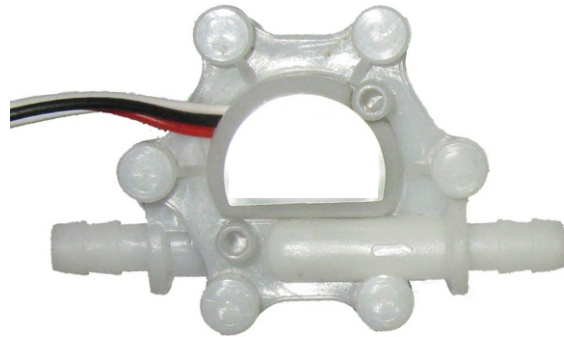


Technical Data Sheet

flow range : 0.15 to 3 litter/minuit
working voltage : 4.5 to 24 VDC
max. pressure : 8 bar
working pressure : 0 to 5 bar
max rated current : 8 mA
withstand current : 15 mA
working temp : up to 120 deg c
storage temp : 25 to 65 degc

accuracy : 0.5% fsd
humidity : 35% to 90%
material : POM
Inlet pipe size : 6mm
outlet pipe size : 6mm

pulse output protection: 50+/-10 %
pulse number : 2400 pulses/litter
out put:
high electric level : less than 4.5 VDC(input voltage 5 VDC)
low electric level : higher than 0.5 VDC(input voltage 5 VDC)



Application:

- Tea/coffee/beverage/water vending machine
- Low flow rate measurement

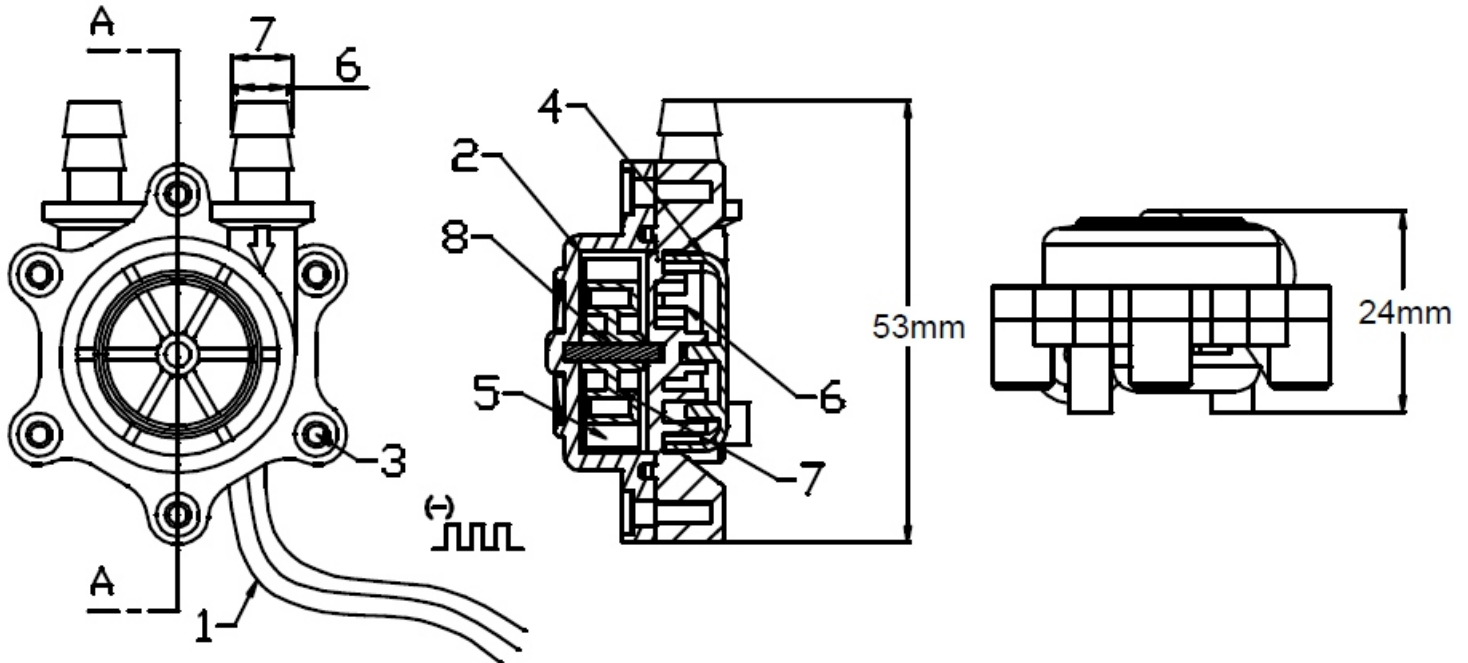
Warning / caution :

- never test flow sensor with compress air, its damage its rotor and shaft

Mini Turbine Flow Sensor

BT-DFS-100 BROIL

Dimension Drawing



Electric connection

